

Robot Pool Cleaner by Maytronics

EN User Instructions

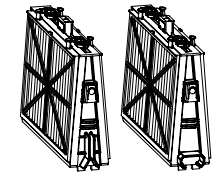
FR Guide d'utilisation

ES Instrucciones de Uso

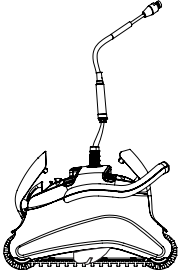
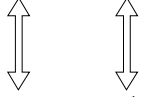


8180090

What You'll Find Inside the Box



Filter and cartridges



Robot pool cleaner

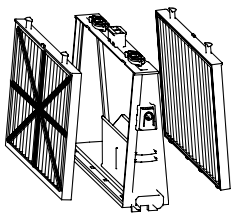


Power supply Unit

Part	X	Comment
Base frame for filter elements	2	
Filters	2/4 Filters Depend on model	
Bag for filters storage	1	
Power supply unit	1	
Robot pool cleaner	1	
Optional components available on request from your robot pool cleaner distributor		

Section 1 - Description of Main Components

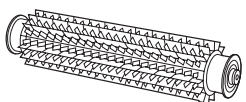
1. Filters



Base frame + fine or ultra-fine cartridge
Depend on model

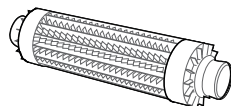
2. Brushes

There are three types of optional brushes, each designed to provide optimal traction on different pool surfaces. Only one type set is provided with your robot pool cleaner.



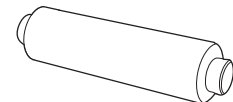
PVC Brush

For concrete, PVC, fiberglass and liner.



Combined Brush

For rough ceramic surface and mosaic tiles.



Wonder Brush

For smooth ceramics.

3. Power supply unit

Digital Switch-mode Power Supply

- Input: 100 VAC – 250 VAC
- 50-60 Hz
- 180 W
- Output: <30 VDC
- IP 54
- Bluetooth®/Wi-Fi® max. trans. power 10 mW EIRR, 2.4 GHz frequency

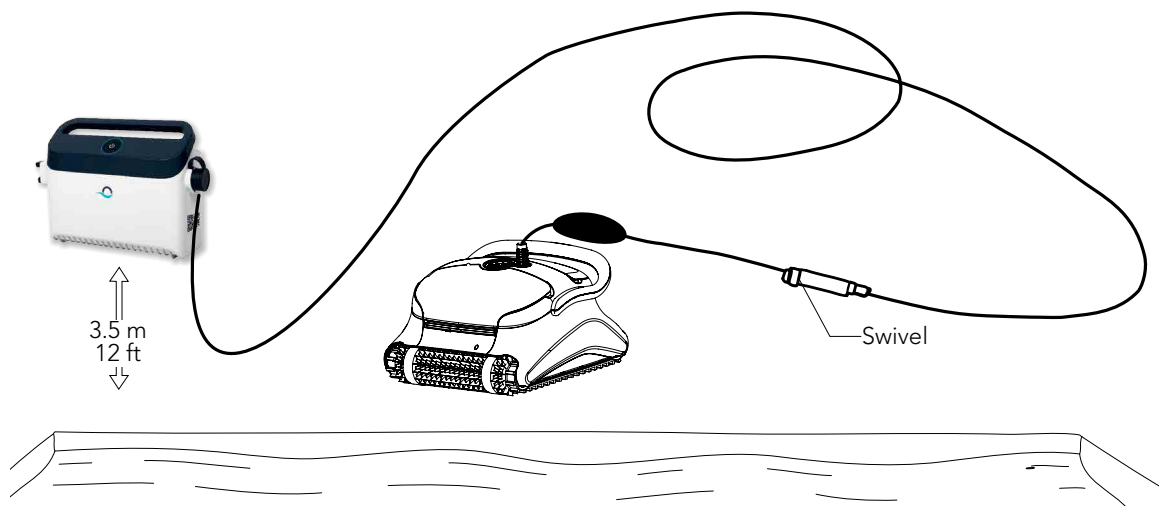


Section 2 – Robot pool cleaner Operation

Part 1 – Preparing the Robot Pool Cleaner for Use

Laying out the cable

Unwind minimal required cable to cover the entire pool size, straight the cable along the pool side. Make sure there are no twists or kinks.

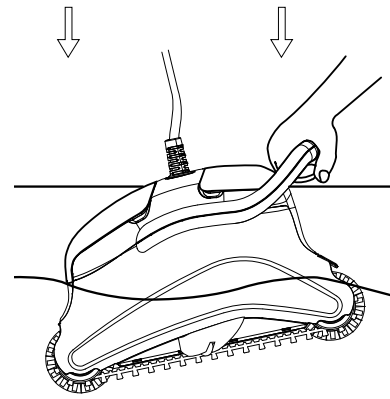


- ⚠ **Only use the original supplied power supply unit.**
- ⚠ **The Power supply unit is splash proof – do not immerse it in water.**
- ⚠ **Unplug the power supply unit before any servicing activity.**
- ⚠ **Do not plug the power supply unit in before placing the pool cleaner in the water.**
- ⚠ **Ensure the mains outlet is protected by a ground fault interrupter (GFI) or an earth leakage interrupter (ELI).**
- ⚠ **Important: Do not enter the swimming pool while the pool cleaner is working.**

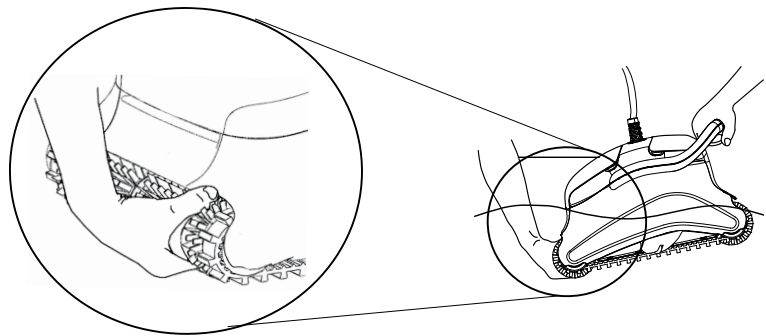
Part 2 - Into the water

Inserting the robot pool cleaner into the pool.

Place the robot pool cleaner into the pool and release the handle.

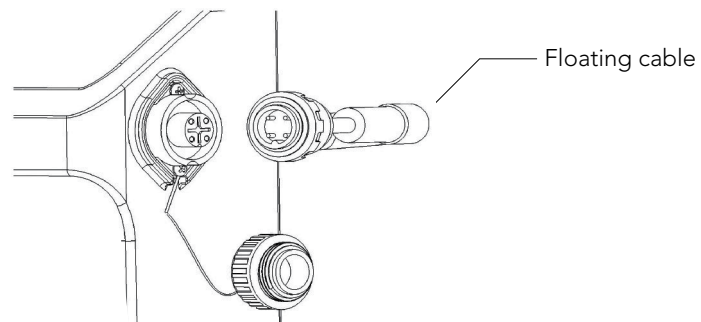


Note: When using the combined brushes or Wonder brushes, gently squeeze the Wonder brush material until it is totally wet.



Turning the robot pool cleaner ON

1. Plug the floating cable from the robot pool cleaner into the power supply unit.
2. Plug the electrical cable from the power supply unit into the mains.



Using the power supply

Your power supply is designed to provide you with the most advanced features to improve your experience.

- A single on/off button for an easy operation.
- LED indicators for the advanced features.



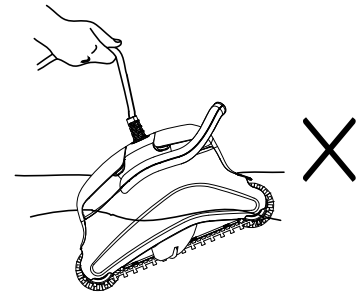
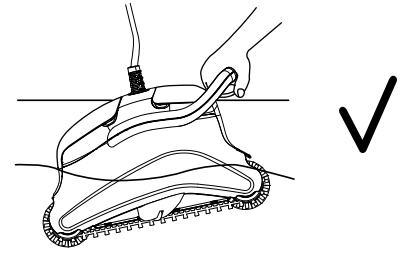
LED indications table:

Lights display	Meaning
Blue circle Blinks 4 times	Occur after connecting the power-supply to the power outlet.
Blue connectivity light is consistent	Bluetooth® connected
Green and Blue connectivity lights blink alternately	Pairing process is ongoing
Green connectivity light is on	Wi-Fi® connected to home network

Part 3 - Taking the robot pool cleaner out of the water

⚠ Unplug power supply before any servicing activity.

1. If the robot pool cleaner has not finished its cycle, turn off the power supply unit and unplug the mains.
2. Pull the floating cable gently until the robot pool cleaner has risen to the surface, then lift by the handle.

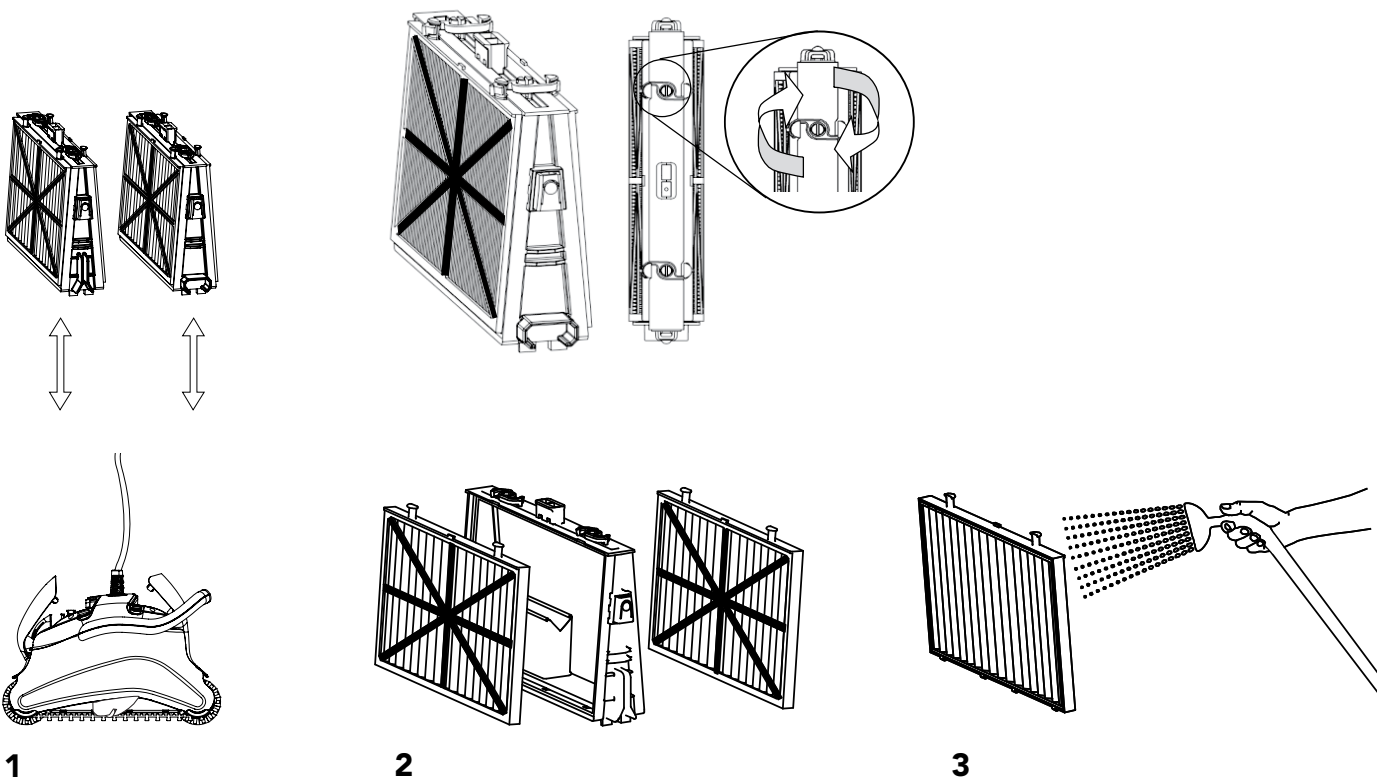


Important: Do NOT lift the robot pool cleaner from the water by its cable.

Section 3 - Routine Maintenance

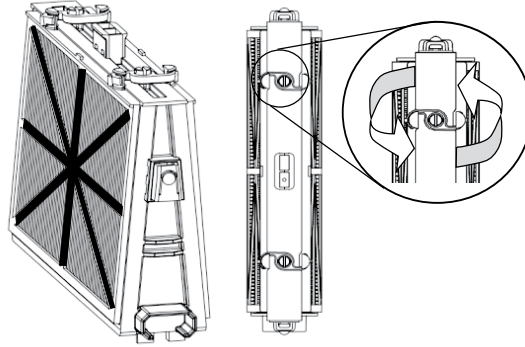
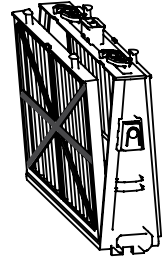
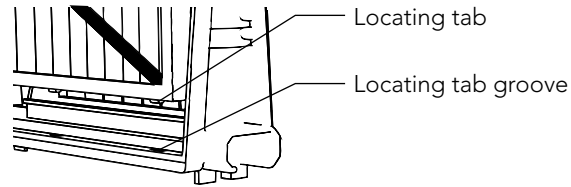
Part 1 - Extracting and cleaning the filter elements

⚠ Unplug power supply before any servicing activity.

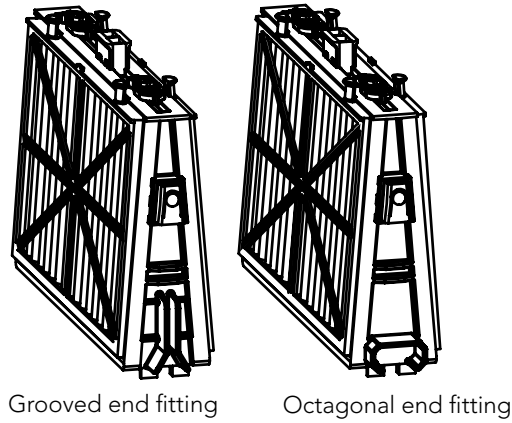


Reassembling the filter elements

Insert the locating tabs at the bottom of the filter element into their groves on the base frame, then close the "S" clip.



Reinstall the filters according to the diagram
DO NOT FORCE THE FILTERS INTO PLACE.

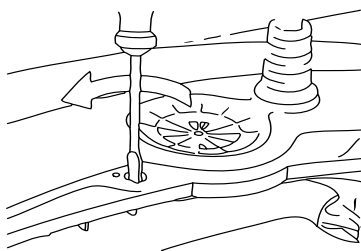


Recommendation: Rinse all brushes with clean water after each cleaning cycle.

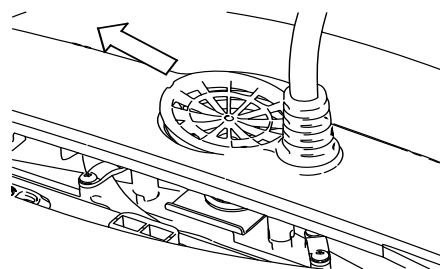
Part 2 - Dismantling and cleaning the impeller

⚠ Unplug power supply before any servicing activity.

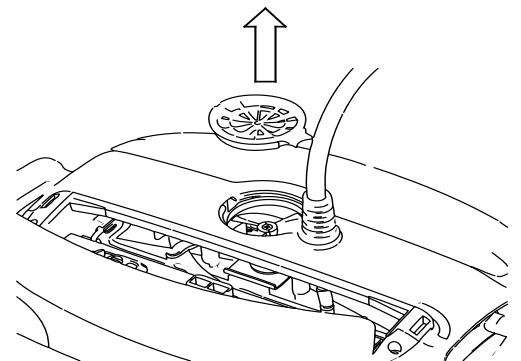
Dismantle the impeller cover and clean around the impeller housing, then reassemble.



1



2



3

Section 4 – Storage Advice

Coil the cable and store in dry cool area.

- ✗ Do NOT store the robot pool cleaner exposed to direct sunlight.
- ✗ Do NOT store the robot pool cleaner exposed to excessive heat.
- ✗ Do NOT store the robot pool cleaner exposed to frost.

Section 5 - Using the MyDolphin™ Plus IoT Mobile App

Please download the Maytronics **MyDolphin™ Plus** app to your mobile smart device from either Google Play for Android or the Appstore for iOS.

The Maytronics **MyDolphin™ Plus** app is cloud-connected, enabling control from anywhere at anytime, with real-time connectivity.

Getting Started with the MyDolphin™ Plus App

The app is compatible with the following smart devices:

- Apple (iOS) – version 10 and up – iPhone, iPad, iPod
- Android – version 5 and up operating system

1. Make sure your mobile smart device (phone/tablet) is connected to your home/pool Wi-Fi® network.
2. Make sure you have your Wi-Fi® network name and password in reach.
3. Ensure Bluetooth® is enabled on your smart device.
4. Android users - please make sure your GPS and Location Services are **ON**.
5. For iOS 13 only - while the app is working, enable **Bluetooth® & location**.
6. Please make sure your router is on 2.4Ghz Wi-Fi® frequency only.

Prepare the Pool Cleaner for Connection

1. Connect the Pool Cleaner to the power supply.
2. The connectivity LED light indicator on your power supply will start flashing blue.
3. Place the Pool Cleaner in the water.
4. Press the ON button on your IoT power supply, to start the Pool Cleaner.

Activate the Pool Cleaner Using your Mobile Smart Device

1. Activate the **MyDolphin™ Plus** app.
2. Click **Agree** and allow all the required permissions.
3. Sign up by creating an account or use your Gmail/Facebook accounts.
4. Scan the QR code located on the side of the power supply.
5. Alternatively, press **"Search for your robot manually"** to pair with your Pool Cleaner.
The app will start pairing with your power supply.
6. Wait for the steady **blue** connectivity LED light and a success message in the app.
7. Connect to your home/pool Wi-Fi® network.
8. Enter the password of your home Wi-Fi® network, and press **CONTINUE**
After a short while, your power supply will flash **green** and **blue**.
9. Wait for the steady **green** connectivity LED light and a success message in the app.

NOTE: Please make sure to fill in the Warranty details and name your Dolphin Pool Cleaner.

LED Lights

Connectivity LEDs

The connectivity LED light on the power supply has several modes:

1. Flashing **blue** light - waiting for Bluetooth® connection.
 2. Steady **blue** light - connected via Bluetooth®.
 3. Flashing **green** light - power supply is connected to your home/pool Wi-Fi® network and trying to connect to the cloud.
 4. Steady **green** light - power supply is now connected to the Wi-Fi® network and to the cloud.
 5. Alternating **blue** and **green** light - power supply is connected via Bluetooth® and to the cloud.
- Appear also while using the remote-control.

On/Off LEDs

1. Steady **blue** light - Power supply is ON, and the pool cleaner is working.
2. Flashing **green** light - waiting for the next operation
3. Alternate **blue/green/red** lights – program updating remotely.
Please wait until process is completed.
4. Steady **red** light – error. Refer to troubleshooting.
5. **Orange** light - Filter is clogged up. Please clean the filter.

Tips

- If the app is stuck on the same screen for over 2 minutes, close the app and re-open it.
- To test your Wi-Fi® signal strength and quality, play a video via your smart device browser.

Power supply On/Off button features:

1. Operating - Press the On/Off button for up to 5 sec.
2. Quick start - This feature activates a specific feature via the power supply.
*In selected models, these features can be changed via the app.
To activate the quick start feature, press and hold the On/Off button for 5 sec.
The **blue** light will blink 3 times.
3. Automation mode - This feature allow you to connect to your smart-home.
To activate the automation mode, press and hold the On/Off button for 15 sec.
The **blue** light will blink 3 times.

Troubleshooting Guide

Before contacting your robot pool cleaner distributor please read through this guide.

The pool water condition must be within the following parameters:

PH: 7.0 – 7.8	NaCl: Max 5,000 ppm
Temperature: 6°C(43°F) to 34°C(93°F)	Chlorine: Max 4 ppm

Symptom	Solution
Cable twisting or cable coils up	Check for any obstruction in the pool
	Remove excess cable from the pool
	Make sure filter cartridge is clean
	Straighten cable and lay it in the sun periodically
Robot pool cleaner is moving in circles or does not reach all pool areas	Check for foreign objects in moving parts
	Make sure filter elements are clean and that the filter doors are closed
	Make sure that there is enough cable laid out to cover the whole pool
	Before using the robot pool cleaner at the beginning of the season you should brush any algae from the floor and walls of the pool
Robot pool cleaner not sinking	Make sure the Wonder brushes or the combined brushes are soaked in water
Motor is not working	Check if the impeller is blocked
	Check if the drive system is blocked
	Electrical problem (power supply), check power source. If power source is in order, please contact your robot pool cleaner distributor
Robot pool cleaner flips on its side	Clean the filter cartridge

MyDolphin™ Plus - Troubleshooting

Before using the app, make sure you have:

- Cellular connection 3G/4G/5G or Wi-Fi®, with strong signal strength
- Power supply support 2.4Ghz ONLY
- Bluetooth® enabled

Action	What To Do
Pool cleaner does not connect to Wi-Fi®, and the power supply is Flashing green light	power supply is trying to connect to your home/pool Wi-Fi® network and cloud. <ol style="list-style-type: none"> 1. Weak internet signal. 2. Get the power supply closer to the Wi-Fi® source. 3. Consider use Wi-Fi® extender for a stronger signal.
Second connection after losing router/ Wi-Fi®: How to change to Bluetooth® after first Wi-Fi® /3G connection.	Losing router/ Wi-Fi®: <ol style="list-style-type: none"> 1. Open the app. The "our cloud services seems to be down" message will appear (can take a few seconds) and the globe on the top bar will turn red. 2. Scroll down and click "choose another solution" which will direct you to the Bluetooth® option. (*this solution will be a one-time solution. Note that in order to continue with Bluetooth® connection, the end user must be near the robot). 3. The app will connect to Wi-Fi® automatically when the connectivity returns. If it doesn't reconnect, restart the app. 4. If network interruptions continue, try to improve the quality of the home router signal (move closer to the router).
Initial connection. How to connect with Bluetooth® only.	Before you start: CONNECT VIA Wi-Fi®, 3G/4G MUST BE OPEN <ol style="list-style-type: none"> 1. Plug in the power supply. 2. Connect the robot to the power supply. 3. Download the new MyDolphin™ Plus app. 4. Login to the app and allow the required permissions. 5. Scan the QR code and follow the app instructions. 6. Click "go online" (at this stage, iOS users need to minimize the app and re-open it. Android users can click "choose network" and "Later").
How to change to Wi-Fi® after initial Bluetooth® connection.	<ol style="list-style-type: none"> 1. Make sure your Bluetooth® and Wi-Fi® are enabled. 2. Open the MyDolphin™ Plus app and connect to the robot via Bluetooth®. 3. Go to Settings and click "Wi-Fi® Settings". 4. Follow the app instructions to go online.
Changing your Wi-Fi® network.	Router was replaced <ol style="list-style-type: none"> 1. Log into the app → you will see a connection error. 2. Go to "settings" at the top bar on the screen. 3. Go to "Wi-Fi® settings" → Click "change Wi-Fi® network" → "change to the new Wi-Fi® network" (enter the Wi-Fi® name and passcode) → Click "continue" and wait to receive notification that the robot has been configured to the new Wi-Fi®. 4. Simultaneously, the LED color on the power supply will turn solid green (this is the confirmation that the Wi-Fi® is connected).
For Android users. Power supply replacement for new Wi-Fi® connection.	New power supply for a robot connected through Wi-Fi® <ol style="list-style-type: none"> 1. Turn on the power supply while it is connected to the robot and let it work for several seconds (it will sync with the robot). 2. Login to the app. A connection error message will appear. 3. Go to "check other solutions". 4. Click on the Bluetooth® icon in the top bar. 5. Click "change connectivity", "set Wi-Fi® connectivity" and then "go online". 6. Enter your Wi-Fi® name and password. You see the home screen. The power supply LED will flash green.

Action	What To Do
<p>For iOS users. Power supply replacement for new Wi-Fi® connection</p>	<p>New power supply for a robot connected through Wi-Fi®</p> <ol style="list-style-type: none"> 1. Turn on the power supply while it is connected to the robot and let it work for several seconds (it will sync with the robot). 2. Login to the app. A connection error message will appear. 3. Go to "settings", on the top bar → click on "robot details" → "disconnect from the robot" → "proceed" → "search for nearby robots" → your robot" → click on "change connectivity" → "set Wi-Fi® connectivity" → "go online". 4. Enter your Wi-Fi® name and password.
<p>Motor unit replacement for unit that was not reported to the support system by the technician.</p>	<ol style="list-style-type: none"> 1. Disconnect the power supply from the wall socket before use. 2. After replacing the motor unit (MU), reconnect the power supply to the wall socket and turn on the power supply. Let the robot work for several seconds. 3. Open the MyDolphin™ Plus app. You will see a connection error. 4. Go to "settings" in the top bar → "robot details" → "disconnect from the robot" → "Proceed" → "search for nearby robots" find and select the "new Dolphin MU s/n" → a "is this your robot?" message will appear. After checking the s/n number, press "Yes this is my robot" → The MU will link to robot and the app → home screen. <p>If you do not recognize the serial number, press to add the robot s/n manually or scan the QR Code.</p>

If none of these solutions do not solve your problem, contact Maytronics Customer Care:

North America

1-888-365-7446 ext. 1002
customersupport@maytronicsus.com

France

+33 (0)4 42 98 14 90
support@maytronics.fr

Australia, NZ, South Africa

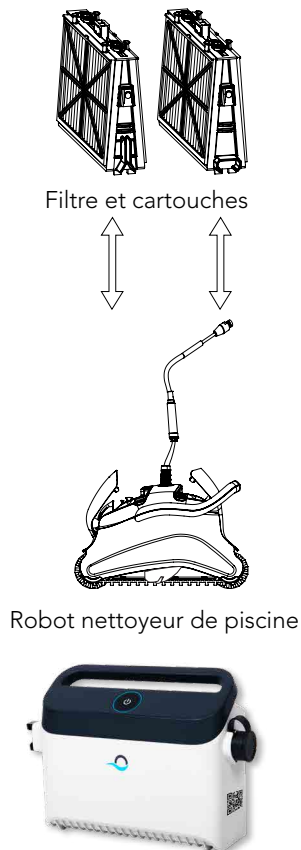
1 300 693 657
infoau@maytronics.com

Rest of the world / Maytronics HQ

00 800 69694141 (toll free number)
00 972 77 96 14 204 (international call)
wecare@maytronics.com

For full information and additional troubleshooting please visit us at: www.maytronics.com

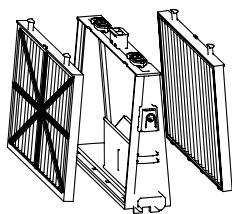
Liste des pièces fournies dans l’emballage



Pièces	X	Remarques
Châssis des composants du filtre	2	
Filtres	2/4 Filtres Dépend du modèle	
Poche de rangement des sacs filtres	1	
Bloc d'alimentation	1	
Robot nettoyeur de piscine	1	
Les éléments optionnels sont disponibles sur demande de la part de votre distributeur de robots nettoyeurs de piscines		

Chapitre 1 - Description des principaux composants

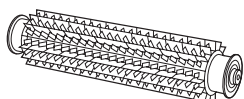
1. Filtres



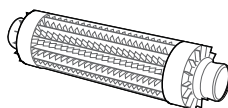
Cadre de base + cartouche fine ou ultra fine
Dépend du modèle

2. Brosses

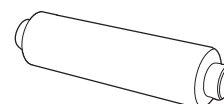
Trois types de brosses sont proposés en option, chacune d’elles étant conçue pour fournir une traction optimale sur différentes surfaces de piscine. Un seul ensemble brosse est fourni avec votre robot nettoyeur de piscine.



Brosse PVC
pour surfaces en béton, PVC, fibre de verre et à revêtement.



Brosse combinée
pour surface rugueuse en céramique et pavés en mosaïque.



Brosse Wonder
pour sols en céramique lisse.

3. Bloc d'alimentation électrique

Alimentation numérique avec «Mode Interrupteur» (Switch mode):

- Entrée: 100 VAC - 250 VAC
- 50-60 Hz
- 180 W
- Sortie: <30 VDC
- IP 54
- Bluetooth®/Wi-Fi® max. trans. power 10 mW EIRR, fréquence 2.4 GHz

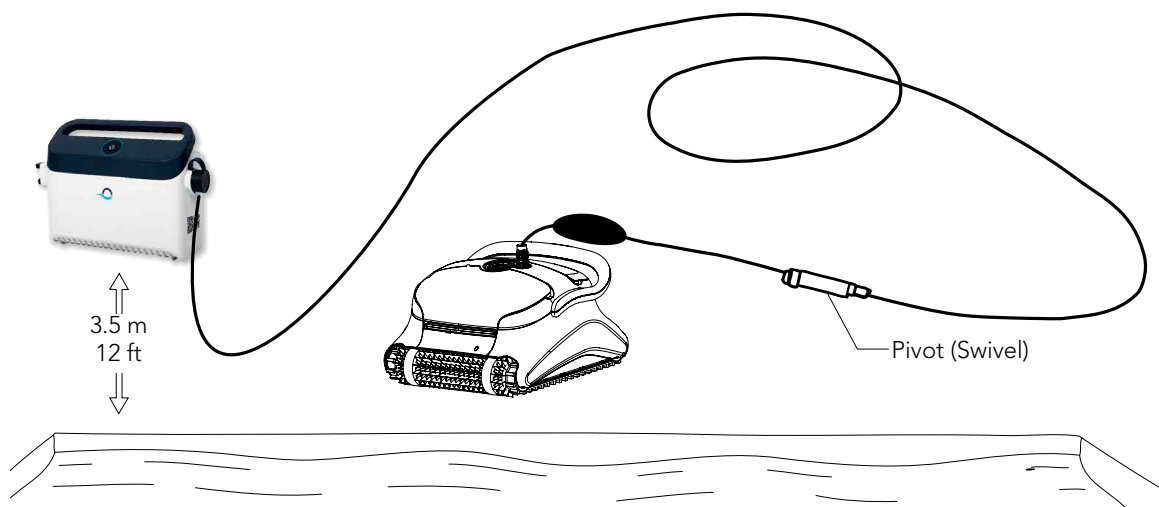


Chapitre 2 – Fonctionnement du robot nettoyeur de piscine

1^{ère} partie – Préparation du robot nettoyeur de piscine

Disposition du câble

Déroulez le minimum nécessaire de câble pour assurer la couverture de toute la piscine. Veillez à le poser bien droit le long de la paroi et vérifiez qu'il ne présente ni nœuds ni torsades.

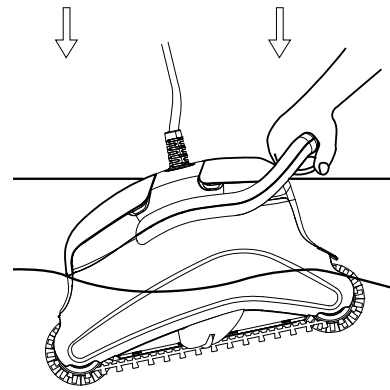


- ⚠ **Utilisez exclusivement le bloc d'alimentation électrique d'origine.**
- ⚠ **Le bloc d'alimentation électrique est conçu anti-éclaboussures – Ne pas l'immerger dans l'eau.**
- ⚠ **Débranchez l'alimentation avant d'entreprendre toute activité d'entretien.**
- ⚠ **Ne branchez pas l'alimentation avant d'avoir placé le robot nettoyeur dans l'eau.**
- ⚠ **Assurez-vous que la prise du secteur est protégée par un interrupteur de mise à la terre (GFI) ou de fuite à la terre (ELI).**
- ⚠ **Important: Ne PAS entrer dans la piscine lorsque le nettoyeur de piscine fonctionne.**

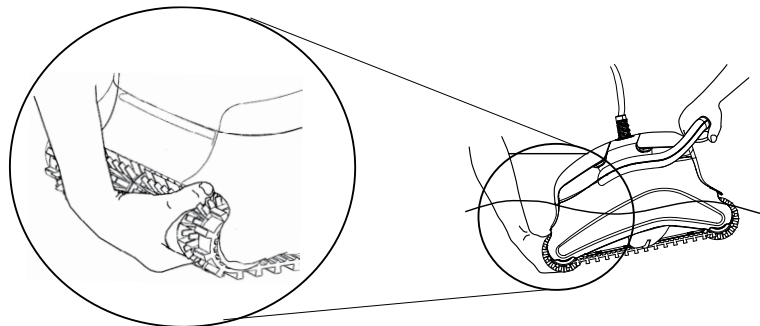
2ème partie – Insertion du robot nettoyeur de piscine dans l'eau

Installation du robot nettoyeur de piscine dans la piscine.

Plongez votre robot nettoyeur de piscine dans la piscine, puis lâchez la poignée.

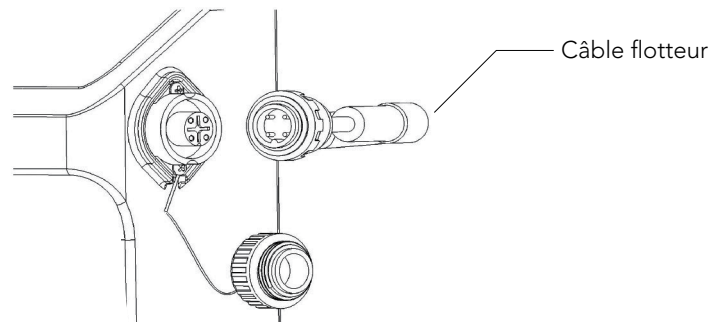


Remarque: Lors de l'utilisation des brosses combinées ou de brosses Wonder, pressez doucement le matériau constituant la brosse pour l'humidifier à fond.



Mise sous tension du robot nettoyeur de piscine

1. Reliez le câble flotteur du robot nettoyeur de piscine au bloc d'alimentation.
2. Reliez le câble électrique du bloc d'alimentation au secteur.



Utilisation du boîtier d'alimentation électrique

Votre boîtier d'alimentation électrique est conçu pour vous fournir les fonctionnalités les plus avancées et améliorer ainsi votre expérience.

- Un seul bouton On/Off pour une utilisation facile.
- Des indicateurs LED pour les fonctionnalités avancées.



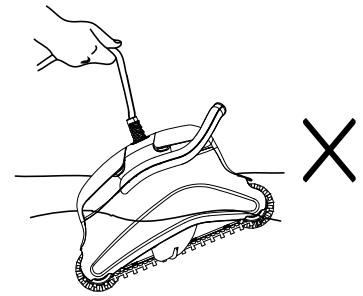
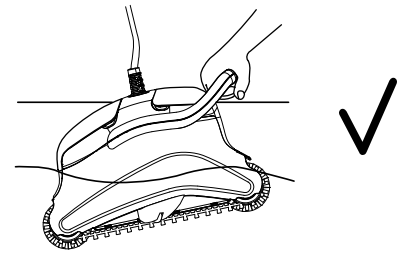
Table des indicateurs LED :

Affichage des voyants lumineux	Signification
Le cercle bleu clignote 4 fois	A lieu après le branchement du boîtier d'alimentation électrique dans la prise de courant
Le voyant de connexion bleu est constant	Bluetooth® est connecté
Les voyants de connexion vert et bleu clignotent alternativement	Le processus de couplage est en cours
Le voyant de connexion vert est allumé	Wi-Fi® est connecté au réseau domestique

3^{ème} partie – Retrait du robot nettoyeur de piscine hors de l'eau

⚠ Débranchez l'alimentation avant d'entreprendre toute activité d'entretien.

1. Si le robot nettoyeur de piscine n'a pas terminé son cycle, éteignez le bloc d'alimentation, puis débranchez le secteur.
2. Tirez doucement les flotteurs jusqu'à ce que le robot nettoyeur de piscine remonte à la surface, ensuite relevez-le par la poignée.

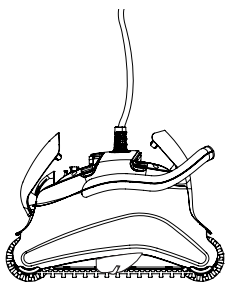
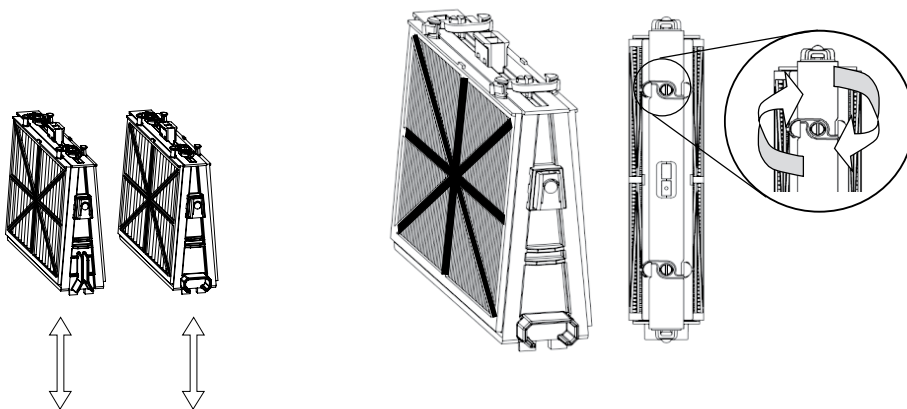


Important! NE PAS soulever le robot nettoyeur de piscine en tirant sur son câble.

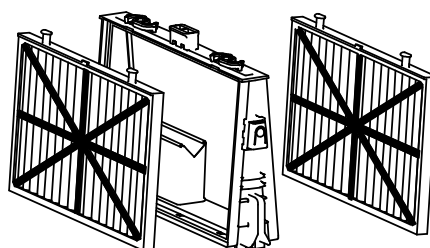
Chapitre 3 – Maintenance de routine

1^{ère} partie – Extraction et nettoyage des composants du filtre

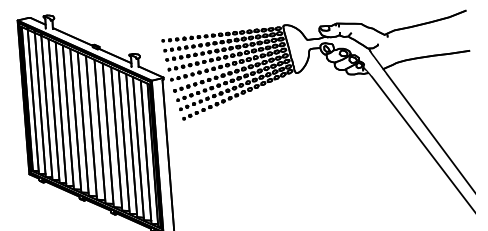
⚠ Débranchez l'alimentation avant d'entreprendre toute activité d'entretien.



1



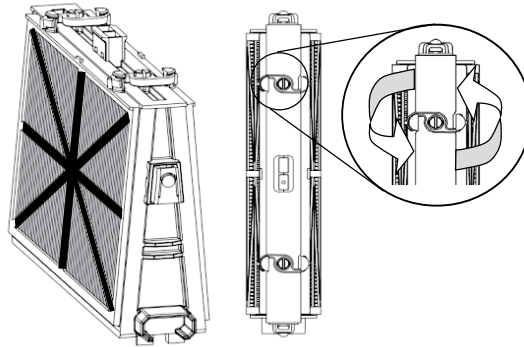
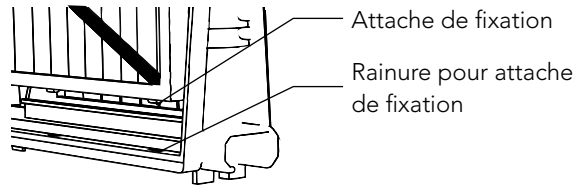
2



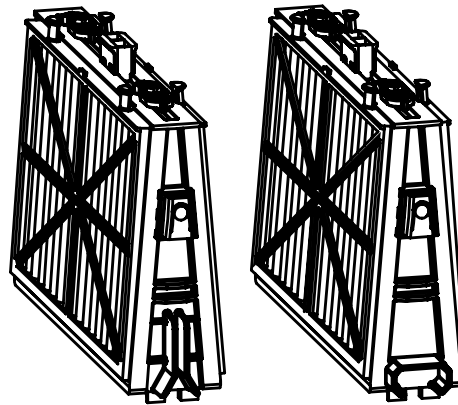
3

Remontage

Insérez les attaches de fixation au bas du filtre dans les rainures prévues à cet effet sur le châssis, ensuite fermez le crochet en « S ».



Réinstallez les filtres suivant le schéma.
NE PAS FORCER SUR LES FILTRES POUR LES METTRE EN PLACE.



Embout à rainure

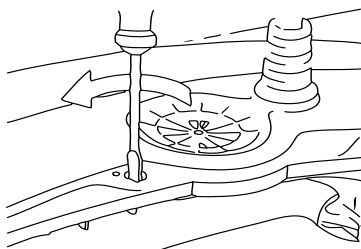
Embout octogonal

Recommandation: Rincez toutes les brosses à l'eau claire après chaque cycle de nettoyage.

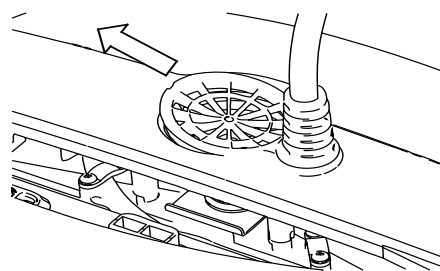
2^{ème} partie – Démontage et nettoyage de la turbine

⚠ Débranchez l'alimentation avant d'entreprendre toute activité d'entretien.

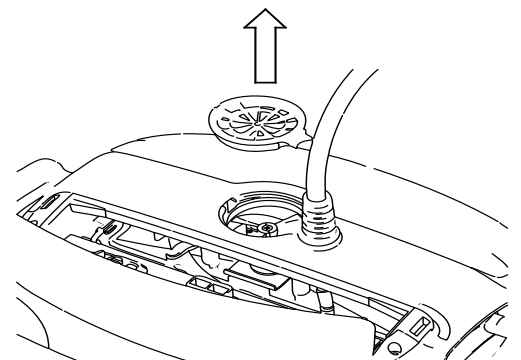
Démontez le couvercle de la turbine et nettoyez son boîtier, ensuite remontez l'ensemble.



1



2



3

Chapitre 4 – Instructions de rangement

Enroulez le câble et rangez-le dans un endroit sec et frais.

- ✗ NE PAS ranger le robot nettoyeur de piscine en exposition directe aux rayons du soleil.
- ✗ NE PAS ranger le robot nettoyeur de piscine dans un endroit exposé à une chaleur excessive.
- ✗ NE PAS ranger le robot nettoyeur de piscine dans un endroit exposé au gel.

Chapitre 5 - Utilisation de l'application mobile MyDolphin™ Plus IoT

Veillez télécharger l'application **MyDolphin™ Plus** de Maytronics sur votre appareil mobile intelligent à partir de Google Play pour Android ou de l'Appstore pour iOS.

L'application **MyDolphin™ Plus** de Maytronics est connectée au Cloud, permettant un contrôle de n'importe où, à n'importe quel moment, avec une connectivité en temps réel.

Démarrage de l'application MyDolphin™ Plus

L'application est compatible avec les appareils intelligents suivants :

- Apple (iOS) : version 10 ou ultérieure – iPhone, iPad, iPod
 - Android : système d'exploitation version 5 ou ultérieure
1. Assurez-vous que votre appareil mobile intelligent (téléphone / tablette) est connecté à votre réseau Wi-Fi® domestique/ de piscine.
 2. Assurez-vous d'avoir à portée de main le nom et le mot de passe de votre réseau Wi-Fi®.
 3. Assurez-vous que Bluetooth® est activé sur votre appareil intelligent.
 4. Utilisateurs d'Android : veuillez vous assurer que votre GPS et vos services de localisation sont **activés**.
 5. Pour iOS 13 uniquement : lorsque l'application fonctionne, activez **Bluetooth® & localisation**.
 6. Veuillez vous assurer que votre routeur est seulement sur une fréquence Wi-Fi® de 2.4 GHz.

Préparation du robot nettoyeur de piscine pour la connexion

1. Connectez le robot nettoyeur de piscine au boîtier d'alimentation électrique.
2. Le voyant lumineux LED de communication sur le boîtier d'alimentation électrique commence à clignoter en bleu.
3. Placez le robot nettoyeur de piscine dans l'eau.
4. Appuyez sur le bouton ON sur le boîtier d'alimentation électrique IoT pour démarrer le robot nettoyeur de piscine.

Activation du robot nettoyeur de piscine à l'aide de votre appareil mobile intelligent

1. Activez l'application **MyDolphin™ Plus**.
2. Cliquez sur **Accepter** et autorisez toutes les autorisations requises.
3. Inscrivez-vous en créant un compte ou utilisez vos comptes Gmail/Facebook.
4. Scannez le code QR situé sur le côté du boîtier d'alimentation électrique.
5. Ou bien, appuyez sur **"Rechercher votre robot manuellement"** pour assurer le couplage avec votre robot nettoyeur de piscine.
L'application commencera le couplage avec le boîtier d'alimentation électrique.
6. Attendez que le voyant LED de connectivité soit **bleu** constant et qu'un message de réussite s'affiche dans l'application.
7. Connectez-vous au réseau Wi-Fi® domestique/ de piscine.
8. Saisissez le mot de passe de votre réseau Wi-Fi® domestique, et cliquez sur **CONTINUER**.
Peu après, votre boîtier d'alimentation électrique clignotera en **vert** et **bleu**.
9. Patientez jusqu'à ce que le voyant LED de connectivité soit **vert** constant et qu'un message de réussite s'affiche dans l'application.

REMARQUE : Veuillez vous assurer de remplir les détails de la garantie et de nommer votre nettoyeur de piscine Dolphin.

Voyants LED

Voyants LED de connectivité

Le voyant LED de connectivité sur le boîtier d'alimentation électrique a plusieurs modes :

1. Voyant **bleu** clignotant : en attente de connexion Bluetooth®.
2. Voyant **bleu** constant : connecté via Bluetooth®.
3. Voyant **vert** clignotant : le boîtier d'alimentation électrique est connecté à votre réseau Wi-Fi® domestique /de piscine et essaie de se connecter au Cloud.
4. Voyant **vert** constant : le boîtier d'alimentation électrique est maintenant connecté au réseau Wi-Fi® et au Cloud.
5. Voyants **bleu** et **vert** en alternance : le boîtier d'alimentation électrique est connecté via Bluetooth® et au Cloud. Apparaissent également lors de l'utilisation de la télécommande.

Voyants LED On/Off

1. Voyant **bleu** constant : le boîtier d'alimentation électrique est allumé (ON), et le robot nettoyeur de piscine fonctionne.
2. Voyant **vert** clignotant : en attente de la prochaine opération (mode différé ou minuterie hebdomadaire).
3. Voyants **bleu/ vert/ rouge** en alternance : mise à jour du programme à distance.
Veuillez patienter jusqu'à la fin du processus.
4. Voyant **rouge** constant : erreur. Consultez les dépannages.
5. Voyant **orange** : Le filtre est bouché. Veuillez le nettoyer.

Conseils

- Si l'application reste bloquée sur le même écran pendant plus de 2 minutes, fermez l'application et rouvrez-la.
- Pour tester la puissance et la qualité de votre signal Wi-Fi®, visionnez une vidéo via le navigateur de votre appareil intelligent.

Caractéristiques du bouton On/Off du boîtier d'alimentation électrique :

1. Fonctionnement : appuyez sur le bouton On/Off pendant 5 secondes maximum.
2. Démarrage rapide : cette fonction active une fonction spécifique via le boîtier d'alimentation électrique.
* Sur certains modèles, ces fonctionnalités peuvent être modifiées via l'application.
Pour activer la fonction de démarrage rapide, maintenez le bouton On/Off enfoncé pendant 5 secondes.
Le voyant **bleu** clignotera 3 fois.
3. Mode d'automatisation : cette fonction vous permet de vous connecter à votre maison intelligente.
Pour activer le mode d'automatisation, maintenez enfoncé le bouton On/Off pendant 15 secondes.
Le voyant **bleu** clignotera 3 fois.

Localisation des pannes

Avant de contacter votre distributeur de robots nettoyeurs de piscines, veuillez lire attentivement ce guide.

L'eau de la piscine doit être conforme aux paramètres suivants:

PH: 7,0 – 7,8	NaCl: max. 5000 ppm
Température: 6°C(43°F) à 34°C(93°F)	Chlore: max. 4 ppm

Symptôme	Solutions
Câble entortillé ou enroulé	Vérifiez si un obstacle est présent dans la piscine
	Réduisez la distance excessive de câble dans la piscine
	Assurez-vous que les composants du filtre sont propres
	Redressez le câble et étalez-le régulièrement au soleil
Le robot nettoyeur de piscine tourne en rond ou n'atteint pas toutes les surfaces de la piscine	Vérifiez si des corps étrangers bloquent les parties mobiles
	Assurez-vous que les composants du filtre sont propres et que les accès au filtre sont bien fermés
	Assurez-vous que la distance de câble tirée est suffisante pour couvrir toute la piscine
	Avant d'utiliser le robot nettoyeur de piscine en début de saison, il est recommandé de brosser toutes les algues susceptibles de se trouver sur le sol et les parois de la piscine
Le robot nettoyeur de piscine ne plonge pas	Assurez-vous que les brosses Wonder ou les brosses combinées sont bien imprégnées d'eau
Le moteur ne fonctionne pas	Vérifiez si la turbine est bloquée
	Vérifiez si le système d'entraînement est bloqué
	Vérifiez s'il existe un problème électrique (alimentation) en contrôlant l'arrivée du secteur
	Si l'arrivée du courant est correcte, veuillez contacter votre distributeur de robots nettoyeurs de piscines
Le robot nettoyeur de piscine bascule sur le côté	Nettoyez le filtre qui se trouve dans la cartouche

MyDolphin™ Plus - DÉPANNAGE

Avant d'utiliser l'application, assurez-vous de disposer de:

- Connexion cellulaire 3G/4G/5G ou Wi-Fi®, avec puissance de signal élevée
- Le boîtier d'alimentation électrique supporte 2.4Ghz SEULEMENT
- Bluetooth® est activé

Action	Que faire
Le robot nettoyeur de piscine ne se connecte pas au Wi-Fi®, et le voyant vert du boîtier d'alimentation électrique clignote	Le boîtier d'alimentation électrique essaie de se connecter à votre réseau Wi-Fi® domestique/ de piscine et au Cloud.
Deuxième connexion après la perte du routeur/ Wi-Fi® : Comment passer à Bluetooth® après la première connexion Wi-Fi® / 3G.	Perte de routeur/ Wi-Fi® : 1. Ouvrez l'application. Le message « Nos services Cloud semblent être en panne » s'affichera (cela peut prendre quelques secondes) et le globe dans la barre supérieure deviendra rouge. 2. Faites défiler vers le bas et cliquez sur « Choisir une autre solution » qui vous dirigera vers l'option Bluetooth®. (*cette solution ne sera possible qu'une fois. Remarquez que pour continuer avec la connexion Bluetooth®, l'utilisateur doit se trouver à proximité du robot). 3. L'application se connectera automatiquement au Wi-Fi® lorsque la connectivité sera rétablie. Si elle ne se reconnecte pas, redémarrez l'application. 4. Si les coupures de réseau persistent, essayez d'améliorer la qualité du signal du routeur domestique (rapprochez-vous du routeur).
Connexion initiale. Comment se connecter via Bluetooth® seulement.	Avant de commencer : CONNECTEZ-VOUS VIA WI-FI®, 3G/4G DOIT ÊTRE OUVERT 1. Branchez le boîtier d'alimentation électrique. 2. Connectez le robot au boîtier d'alimentation électrique. 3. Téléchargez la nouvelle application MyDolphin™ 4. Connectez-vous à l'application et autorisez toutes les autorisations requises. 5. Scannez le code QR et suivez les instructions de l'application. 6. Cliquez sur « Aller en ligne » (à ce stade, les utilisateurs d'iOS doivent minimiser l'application et la rouvrir. Les utilisateurs d'Android peuvent cliquer sur « Choisir un réseau » et « Plus tard »).
Comment passer sur Wi-Fi® après une connexion Bluetooth® initiale.	1. Assurez-vous que votre Bluetooth® et votre Wi-Fi® sont activés. 2. Ouvrez l'application MyDolphin™ Plus et connectez-vous au robot via Bluetooth®. 3. Allez dans Paramètres et cliquez sur « Paramètres Wi-Fi® ». 4. Suivez les instructions de l'application pour vous connecter.
Changer votre réseau Wi-Fi®.	Le routeur a été remplacé 1. Connectez-vous à l'application → vous verrez une erreur de connexion. 2. Allez dans « Paramètres » dans la barre supérieure de l'écran. 3. Allez dans « Paramètres Wi-Fi® » → Cliquez sur « Changer de réseau Wi-Fi® » → « Passer sur le nouveau réseau Wi-Fi® (entrez le nom et le mot de passe du Wi-Fi®) » Cliquez sur « Continuer » et attendez de recevoir la notification que le robot a été configuré sur le nouveau Wi-Fi®. 4. Simultanément, le voyant LED sur le boîtier d'alimentation deviendra vert constant (ceci est la confirmation que le Wi-Fi® est connecté).
Pour les utilisateurs d'Android. Remplacement du boîtier d'alimentation électrique pour une nouvelle connexion Wi-Fi®.	Nouveau boîtier d'alimentation électrique pour un robot connecté via Wi-Fi® 1. Allumez le boîtier d'alimentation électrique connecté au robot et laissez-le fonctionner pendant quelques secondes (il se synchronisera avec le robot). 2. Connectez-vous à l'application. Un message d'erreur de connexion s'affichera. 3. Allez à « Vérifier d'autres solutions ». 4. Cliquez sur l'icône du Bluetooth® dans la barre supérieure. 5. Cliquez sur « Changer la connectivité », « Définir la connectivité Wi-Fi® » et puis sur « Aller en ligne ». 6. Saisissez votre nom et mot de passe de réseau Wi-Fi®. Vous apercevez l'écran d'accueil. Le voyant LED du boîtier d'alimentation clignote en vert.

Action	Que faire
<p>Pour les utilisateurs d'iOS. Remplacement du boîtier d'alimentation électrique pour une nouvelle connexion Wi-Fi®.</p>	<p>Nouveau boîtier d'alimentation électrique pour un robot connecté via Wi-Fi®</p> <ol style="list-style-type: none"> 1. Allumez le boîtier d'alimentation électrique connecté au robot et laissez-le fonctionner pendant quelques secondes (il se synchronisera avec le robot). 2. Connectez-vous à l'application. Un message d'erreur de connexion s'affichera. 3. Allez dans « Paramètres » dans la barre supérieure → cliquez sur « Détails du robot » → « Déconnectez-vous du robot » → « Poursuivre » → « Rechercher les robots proches » → « Votre robot » → Cliquez sur « Changer de connectivité » → « Définir la connectivité Wi-Fi® » → « Aller en ligne ». 4. Saisissez votre nom et mot de passe de réseau Wi-Fi®.
<p>Remplacement de l'unité moteur pour une unité qui n'a pas été signalée au système de support par le technicien.</p>	<ol style="list-style-type: none"> 1. Débranchez le boîtier d'alimentation électrique de la prise murale avant utilisation. 2. Après avoir remplacé l'unité moteur, rebranchez le boîtier d'alimentation électrique sur la prise murale et allumez le boîtier. Laissez le robot travailler pendant plusieurs secondes. 3. Ouvrez l'application MyDolphin™ Plus. Vous verrez une erreur de connexion. 4. Allez dans « Paramètres » dans la barre supérieure → « Détails du robot » → « Déconnexion du robot » → « Poursuivre » → « Rechercher les robots proches », recherchez et sélectionnez le « Nouveau n° de série de l'unité moteur de Dolphin » → un message « Est-ce votre robot ? » apparaîtra. Après avoir vérifié le n° de série, appuyez sur « Oui, c'est mon robot » → L'unité moteur se connectera au robot et à l'application → écran d'accueil. <p>Si vous ne reconnaissez pas le numéro de série, appuyez pour ajouter le n° de série du robot manuellement ou scannez le code QR.</p>

Si aucune de ces solutions ne résout votre problème, contactez le service client de Maytronics :

Amérique du Nord

1-888-365-7446 ext. 1002
customersupport@maytronicsus.com

France

+33 (0)4 42 98 14 90
support@maytronics.fr

Australie, Nouvelle-Zélande, Afrique du Sud

1 300 693 657
infoau@maytronics.com

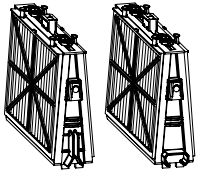
Reste du monde / Siège de Maytronics

00 800 69694141 (numéro gratuit)
00 972 77 96 14 204 (appel international)
wecare@maytronics.com

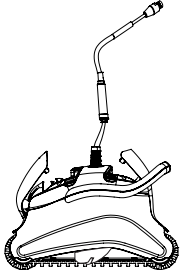
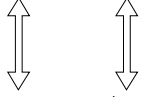
Pour plus d'informations et des dépannages supplémentaires, veuillez visiter notre site :

www.maytronics.com:

Dentro de la Caja Usted encontrará



Filtros y Cartuchos



Robot Limpiador de Piscina

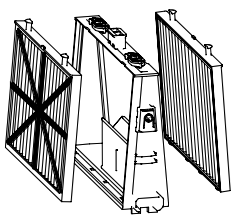


Unidad de la Fuente de Alimentación

Parte	X	Observaciones
Armazón para los Elementos del Filtro	2	
Filtros	2/4 filtros Depende del modelo	
Bolsa para almacenamiento de filtros	1	
Unidad de la Fuente de Alimentación	1	
Robot Limpiador de Piscina	1	
Componentes opcionales disponibles a petición de su distribuidor del robot limpiador de piscina		

Sección 1 - Descripción de los Principales Componentes

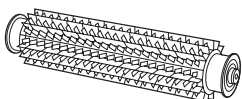
1. Filtros



Bastidor base + cartucho fino o ultrafino
Depende del modelo

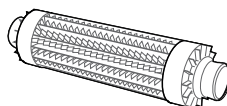
2. Cepillos

Hay tres tipos de cepillos opcionales, cada uno diseñado para proporcionar tracción óptima en diversas superficies de piscinas. Solamente un tipo es proveído con su limpiador de piscina.



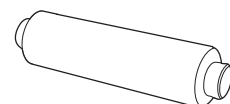
Cepillo PVC

Para concreto, PVC, fibra de vidrio y revestimiento.



Cepillo Combinado

Para superficies de cerámica áspera y azulejos de mosaico.



Cepillo Wonder

Para cerámica lisa.

3. Unidad de la Fuente de Alimentación

Fuente de alimentación Digital, "Switch-Mode":

- Entrada: 100 VAC - 250 VAC
- 50-60 Hz
- 180 W
- Salida: <30 VDC
- IP 54
- Bluetooth®/Wi-Fi® max. trans. poder 10 mW EIRR, frecuencia 2.4 GHz

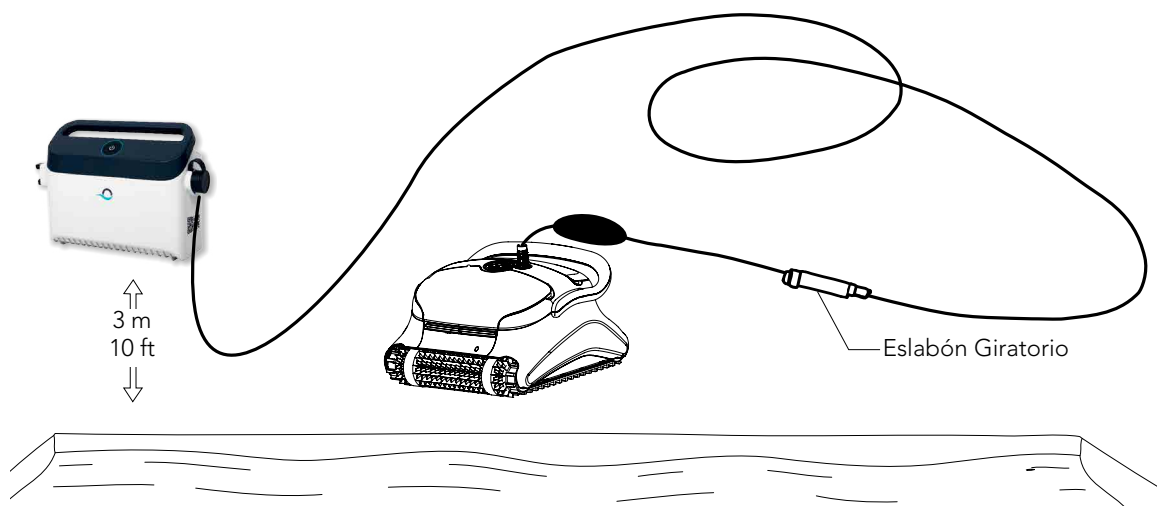


Sección 2 – Operación del robot limpiador de piscina

Parte 1 – Preparar o robot limpiador de piscina para uso

Colocar el Cable

Desenrolle el mínimo cable requerido para cubrir todo el tamaño de la piscina, enderece el cable a lo largo del lado de la piscina. Cerciérese de que no haya torceduras o vueltas.

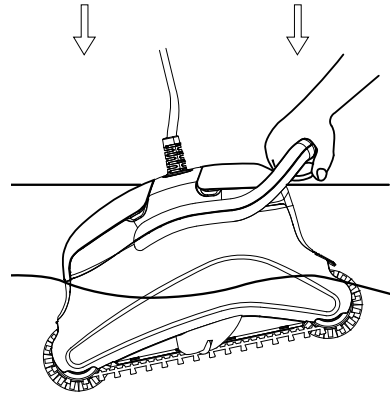


- ⚠ Use solamente la unidad de la fuente de alimentación original suministrada.
- ⚠ La unidad de la fuente de alimentación es a prueba de salpicaduras – No la sumerja en agua.
- ⚠ Desenchufe la unidad de la fuente de alimentación antes de cualquier actividad de mantenimiento.
- ⚠ No conecte la unidad de la fuente de alimentación antes de colocar el limpiador de piscina en el agua.
- ⚠ Asegúrese que el enchufe de las cañerías sea protegido por un interruptor de fallos de conexión a tierra (GFI) o un interruptor de pérdidas a tierra (ELI).
- ⚠ Importante: NO INGRESAR a la piscina mientras el limpiador de piscinas esté en funcionamiento.

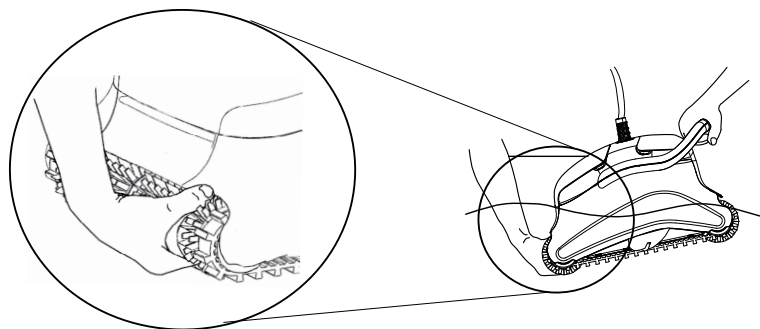
Parte 2 – En el agua

Colocar el robot limpiador de piscina en el agua.

Coloque el robot limpiador de piscina en la piscina y libérelolo.

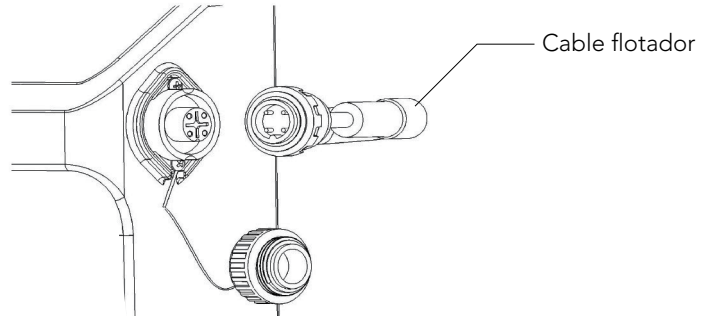


Nota: Al usar los cepillos combinados o cepillos Wonder, exprima suavemente el material del cepillo hasta que esté totalmente mojado.



Activar el robot limpiador de piscina

1. Enchufe el cable flotador del robot limpiador de piscina en la unidad de la fuente de alimentación.
2. Enchufe el cable eléctrico de la unidad de la fuente de alimentación en la red eléctrica.



Uso de la fuente de alimentación

- Su fuente de alimentación está diseñada para ofrecerle las funciones más avanzadas con el fin de mejorar su experiencia.
- Un solo botón de encendido/apagado (ON/OFF) para un fácil manejo.
- Indicadores LED para las funciones avanzadas.



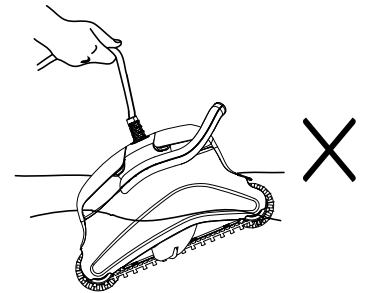
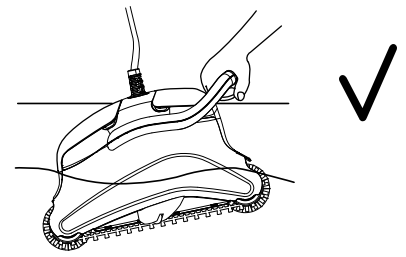
Cuadro de indicaciones LED:

Indicador de luces	Significado
El círculo Azul parpadea 4 veces	Esto ocurre después de conectar la fuente de alimentación a la toma de corriente
La luz de conexión Azul es constante	El Bluetooth® está conectado
Las luces de conexión Verde y Azul parpadean de forma alterna	El proceso de emparejamiento está en curso
La luz de conexión Verde está encendida	El Wi-Fi® está conectado a la red doméstica

Parte 3 – Retirar el robot limpiador de piscina del agua

⚠ Desconecte la fuente de alimentación antes de cualquier actividad de mantenimiento.

1. Si el robot limpiador de piscina no ha concluido su ciclo, cierre la unidad de la fuente de alimentación y desconecte de la red principal.
2. Tire del cable flotador suavemente hasta que el robot limpiador de piscina haya subido a la superficie, y levántelo por la manija.

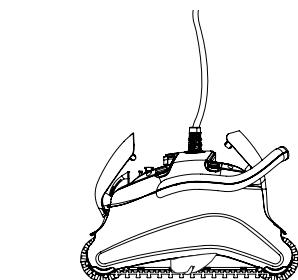
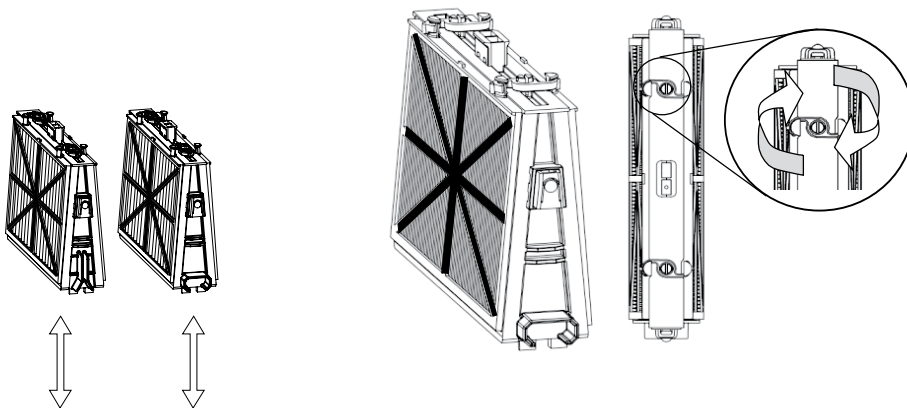


Importante: NO levante el robot limpiador de piscina del agua por su cable.

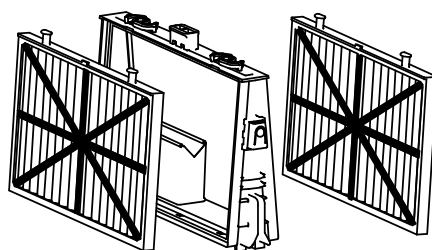
Sección 3 – Mantenimiento General

Parte 1 – Remover y limpiar los Elementos del Filtro

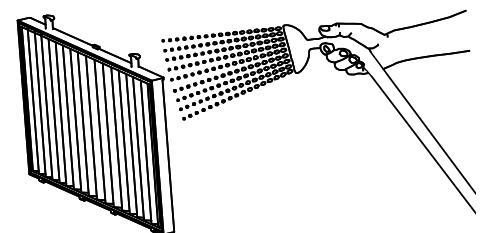
⚠ Desconecte la fuente de alimentación antes de cualquier actividad de mantenimiento.



1



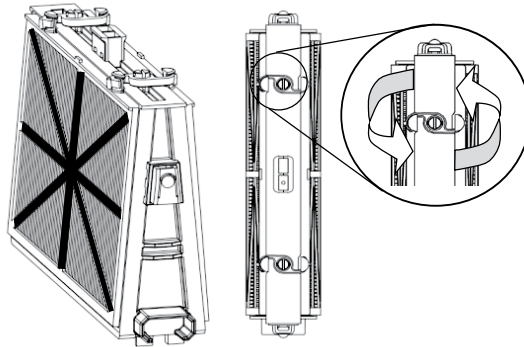
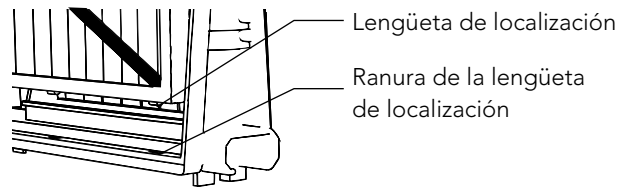
2



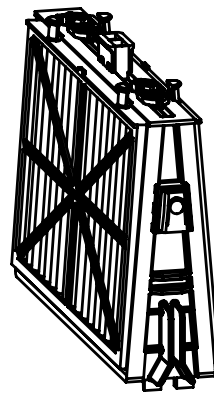
3

Reensamblar

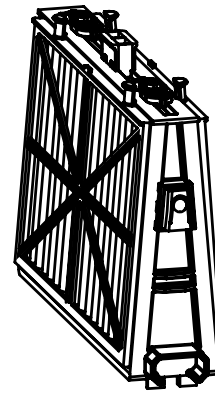
Inserte las lengüetas de localización en la parte inferior del elemento del filtro en sus ranuras en el bastidor base, después cierre el clip "S".



Re-instale los filtros según el diagrama
NO FUERCE LOS FILTROS EN EL LUGAR.



Pieza de extremidad con ranuras



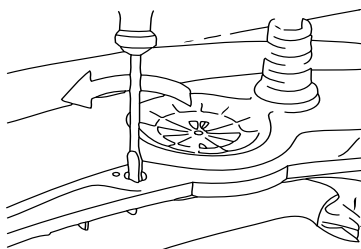
Pieza de extremidad octagonal

Recomendación: Lave todos los cepillos con agua limpia después de cada ciclo de limpieza.

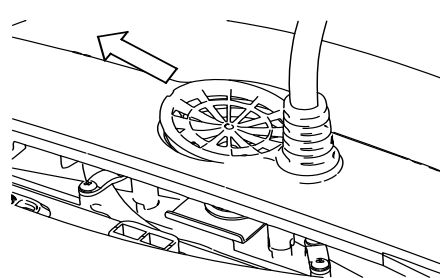
Parte 2 – Desmontar y limpiar el impulsor

⚠ Desconecte la fuente de alimentación antes de cualquier actividad de mantenimiento.

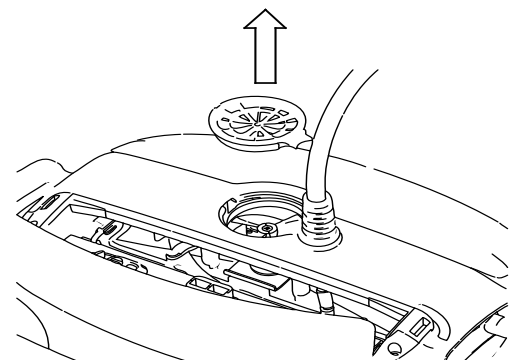
Desmonte la tapa del impulsor y limpie alrededor del compartimiento del impulsor, después reensamble.



1



2



3

Sección 4 – Instrucciones de Almacenamiento

Enrolle el cable y almacénelo en área fresca y seca.

- ✗ NO almacene el robot limpiador de piscina expuesto a luz solar directa.
- ✗ NO almacene el robot limpiador de piscina expuesto a calor excesivo.
- ✗ NO almacene el robot limpiador de piscina expuesto a helada.

Sección 5 – Uso de la App para móviles IoT MyDolphin™ Plus

Por favor, descargue la aplicación **MyDolphin™ Plus** de Maytronics en su dispositivo móvil inteligente a través de Google Play para Android o de la App Store para iOS.

La app **MyDolphin™ Plus** de Maytronics está conectada a la nube, lo que permite controlarla desde cualquier lugar en cualquier momento, con conexión en tiempo real.

Primeros Pasos con la aplicación MyDolphin™ Plus

La aplicación es compatible con los siguientes dispositivos inteligentes:

- Apple (iOS) - versión 10 en adelante - iPhone, iPad, iPod
 - Android - versión 5 del sistema operativo y en adelante
1. Asegúrese de que su dispositivo móvil inteligente (teléfono/tableta) está conectado a la red Wi-Fi® de su casa/piscina.
 2. Asegúrese de tener a mano el nombre y la contraseña de la red Wi-Fi®.
 3. Asegúrese de que el Bluetooth® está activado en su dispositivo inteligente.
 4. Usuarios de Android: por favor, asegúrense de que sus GPS y los Servicios de Localización están activados (**ON**).
 5. Solo para iOS 13: mientras la aplicación esté en funcionamiento, active **Bluetooth® y la localización**.
 6. Asegúrese de que su router está solo en la frecuencia de Wi-Fi® de 2,4 Ghz.

Preparación del Limpiafondos para su Conexión

1. Conecte el Limpiafondos a la fuente de alimentación.
2. El indicador LED de conexión de su fuente de alimentación comenzará a parpadear en azul.
3. Coloque el Limpiafondos en el agua.
4. Pulse el botón ON de su fuente de alimentación IoT para poner en marcha el Limpiafondos.

Activación del Limpiafondos a través del Dispositivo Móvil Inteligente

1. Active la aplicación **MyDolphin™ Plus**.
2. Haga clic en **Aceptar** y acepte todos los permisos requeridos.
3. Regístrese creando una cuenta nueva o utilizando su cuenta de Gmail/Facebook.
4. Escanee el código QR situado en el lateral de la fuente de alimentación.
5. También puede pulsar «**Buscar su limpiafondos manualmente**» para conectarse con su Limpiafondos.
La aplicación iniciará el emparejamiento con su fuente de alimentación.
6. Espere hasta que aparezcan la luz LED de conexión **azul** constante y un mensaje de confirmación en la aplicación.
7. Conéctese a su red Wi-Fi® doméstica/de la piscina.
8. Introduzca la contraseña de su red Wi-Fi® doméstica y pulse **CONTINUAR**.
Después de un breve periodo de tiempo, su fuente de alimentación se iluminará en **verde** y **azul**.
9. Espere hasta que aparezca la luz LED de conexión **verde** y un mensaje de confirmación en la aplicación.

NOTA: Por favor, asegúrese de introducir los datos de la garantía y el nombre de su Limpiafondos Dolphin.

Luces LED

LED de conexión

La luz LED de conexión de la fuente de alimentación tiene varios modos:

1. Luz intermitente **azul**: esperando conexión para Bluetooth®.
2. Luz fija **azul**: conectado a través de Bluetooth®.
3. Luz intermitente **verde**: la fuente de alimentación está conectada a su red Wi-Fi® doméstica/de la piscina e intenta conectarse a la nube.
4. Luz fija **verde**: la fuente de alimentación ya está conectada a su red Wi-Fi® y a la nube.
5. Luz **azul** y **verde** alterna: la fuente de alimentación está conectada a través de Bluetooth® y a la nube. Aparece también mientras se usa el control remoto.

LED ON/OFF

1. Luz fija **azul**: la fuente de alimentación está encendida y el limpiafondos está en funcionamiento.
2. Luz intermitente **verde**: esperando al siguiente inicio (modo de retardo o programador semanal).
3. Luces alternas **azul/verde/roja**: actualización remota del programa.
Espere hasta que haya terminado el proceso.
4. Luz fija **roja**: error. Véase resolución de incidencias.
5. Luz **naranja**: el filtro está obstruido. Limpie el filtro.

Consejos

- Si la aplicación se queda atascada en la misma pantalla durante más de 2 minutos, cierre la aplicación y vuelva a abrirla.
- Para comprobar la intensidad y calidad de la señal Wi-Fi®, reproduzca un vídeo a través del navegador de su dispositivo inteligente.

Funciones del botón de ON/OFF de la fuente de alimentación:

1. Inicio: pulse el botón ON/OFF durante 5 s.
2. Inicio rápido: esta función activa una función específica a través de la fuente de alimentación.
*En determinados modelos, estas funciones pueden cambiarse a través de la aplicación.
Para activar la función de inicio rápido, pulse y mantenga pulsado el botón ON/OFF durante 5 s.
La luz **azul** parpadeará 3 veces.
3. Modo automático: esta función le permite conectarse a su hogar inteligente.
Para activar el modo automático, pulse y mantenga pulsado el botón ON/OFF durante 15 s.
La luz **azul** parpadeará 3 veces.

Guía de Localización de Averías

Antes de entrar en contacto con su distribuidor del robot limpiador de piscina lea por favor toda esta guía.

Las condiciones del agua de la piscina deben estar dentro de los siguientes parámetros:

PH: 7.0 – 7.8	NaCl: Máx. 5,000 ppm
Temperatura: 6°C(43°F) a 34°C(93°F)	Cloro: Máx. 4 ppm

Síntomas	Síntomas
El cable se tuerce o se enreda	Verifique cualquier obstrucción en la piscina
	Quite el exceso del cable de la piscina
	Cerciórese que el cartucho del filtro esté limpio
	Enderece el cable y tiéndalo al sol periódicamente
El robot limpiador de piscina se desplaza en círculos o no llega a todas las áreas de la piscina	Verifique si hay objetos extraños en las piezas móviles
	Cerciórese de que cartucho de filtro esté limpio y que las puertas del filtro estén cerradas
	Cerciórese de que hay suficiente cable para cubrir toda la piscina
	Antes de usar el robot limpiador de piscina al principio de la estación usted debe cepillar todas las algas del piso y de las paredes de la piscina
El robot limpiador de piscina no se hunde	Cerciórese que los cepillos Wonder o los cepillos combinados están mojados
El motor no está funcionando	Verifique si el impulsor está bloqueado
	Verifique si el sistema de impulsión está bloqueado
	Problema eléctrico (fuente de alimentación), Verifique la fuente de energía. Si la fuente de energía está en orden, entre en contacto con su distribuidor del robot limpiador de piscina
El robot limpiador de piscina se cae de lado	Limpiar el cartucho del filtro

MyDolphin™ Plus - Resolución de incidencias

Antes de utilizar la aplicación, asegúrese de que dispone de lo siguiente:

- Conexión móvil 3G/4G/5G o Wi-Fi®, con una señal fuerte.
- SOLO soporte de fuente de alimentación de 2,4 Ghz.
- Bluetooth® conectado.

Acción	Qué hacer
El Limpiafondos no se conecta al Wi-Fi® y la fuente de alimentación emite una luz verde intermitente	<p>La fuente de alimentación está intentando conectarse a su red Wi-Fi® doméstica/de la piscina y a la nube.</p> <ol style="list-style-type: none"> 1. Señal de Internet débil. 2. Acerque la fuente de alimentación a la fuente de Wi-Fi®. 3. Considere usar un amplificador Wi-Fi® para lograr una señal más fuerte.
Segunda conexión después de perder la conexión con el router/Wi-Fi®: Cómo cambiar a Bluetooth® después de la primera conexión por Wi-Fi® /3G.	<p>Se pierde la señal del router/Wi-Fi®:</p> <ol style="list-style-type: none"> 1. Abra la aplicación. El mensaje «Parece que se han caído nuestros servicios en la nube» aparecerá (puede tardar unos segundos) y el globo de la barra superior se volverá rojo. 2. Desplácese hacia abajo y haga clic en «Elegir otra solución» que le dirigirá a la opción de Bluetooth® (*esta solución será una solución de una sola vez. Tenga en cuenta que para continuar con la conexión Bluetooth®, el usuario debe estar cerca del limpiafondos). 3. La aplicación se conectará automáticamente al Wi-Fi® cuando regrese la conexión. Si no se vuelve a conectar, reinicie la aplicación. 4. Si continúan las interrupciones de la red, intente mejorar la calidad de la señal del router doméstico (acérquese al router).
Conexión inicial. Cómo conectarse solo por Bluetooth®.	<p>Antes de empezar: LA CONEXIÓN A TRAVÉS DE Wi-Fi®, 3G/4G DEBE ESTAR ABIERTA</p> <ol style="list-style-type: none"> 1. Conecte la fuente de alimentación. 2. Conecte el limpiafondos a la fuente de alimentación. 3. Descargue la nueva app MyDolphin™ Plus. 4. Inicie sesión en la aplicación y habilite los permisos necesarios. 5. Escanee el código QR y siga las instrucciones de la aplicación. 6. Haga clic en «Conectar» (en esta fase, los usuarios de iOS necesitan minimizar la aplicación y volver a abrirla. Los usuarios de Android pueden hacer clic en «Seleccionar red» y «Más tarde»).
Cómo cambiar a Wi-Fi® después de la conexión inicial por Bluetooth®.	<ol style="list-style-type: none"> 1. Asegúrese de que el Bluetooth® y Wi-Fi® están activados. 2. Abra la aplicación MyDolphin™ Plus y conecte el limpiafondos a través de Bluetooth®. 3. Vaya a Ajustes y haga clic en «Ajustes de Wi-Fi®». 4. Siga las instrucciones para conectarse.
Cambiar su red Wi-Fi®.	<p>Se ha reemplazado el router</p> <ol style="list-style-type: none"> 1. Al iniciar sesión en la aplicación verá un error de conexión. 2. Vaya a «Ajustes» en la barra superior de la pantalla. 3. Vaya a «Ajustes de Wi-Fi®» → haga clic en «Cambiar la red Wi-Fi®» → «Cambiar a la nueva red Wi-Fi®» (indique el nombre y la contraseña del Wi-Fi®) → haga clic en «Continuar» y espere a recibir la notificación de que el limpiafondos se ha configurado con la nueva red Wi-Fi®. 4. Al mismo tiempo, el LED de la fuente de alimentación se volverá de color verde fijo (esta es la confirmación de que el Wi-Fi® está conectado).
Para usuarios de Android. Cambiar la fuente de alimentación por una nueva conexión Wi-Fi®.	<p>Nueva fuente de alimentación para un limpiafondos conectado a través de Wi-Fi®</p> <ol style="list-style-type: none"> 1. Encienda la fuente de alimentación mientras está conectada al limpiafondos y déjela funcionar durante varios segundos (se sincronizará con el limpiafondos). 2. Inicie sesión en la aplicación. Aparecerá un mensaje de error. 3. Vaya a «Consultar otras soluciones». 4. Haga clic en el icono de Bluetooth® de la barra superior. 5. Haga clic en «Cambiar conexión», «Establecer conexión Wi-Fi®» y luego en «Conectar». 6. Introduzca el nombre y la contraseña de su Wi-Fi®. Verá la pantalla de inicio. El LED de la fuente de alimentación parpadeará en verde.

Acción	Qué hacer
<p>Para usuarios de iOS. Reemplazo de la fuente de alimentación por una nueva conexión Wi-Fi®</p>	<p>Nueva fuente de alimentación para un limpiafondos conectado a través de Wi-Fi®</p> <ol style="list-style-type: none"> 1. Encienda la fuente de alimentación mientras está conectada al limpiafondos y déjela funcionar durante varios segundos (se sincronizará con el limpiafondos). 2. Inicie sesión en la aplicación. Aparecerá un mensaje de error. 3. Vaya a «Ajustes» en la barra superior → haga clic en «Detalles del limpiafondos» → «Desconectar del limpiafondos» → Continuar → «Buscar limpiafondos cercanos» → «Su limpiafondos» → haga clic en «Cambiar conexión» → «Establecer conexión Wi-Fi®» → «Conectar». 4. Introduzca el nombre y la contraseña de su Wi-Fi®.
<p>Reemplazo de la unidad del motor por una unidad de la que el técnico no haya informado al sistema de asistencia.</p>	<ol style="list-style-type: none"> 1. Desconecte la fuente de alimentación de la toma de corriente antes de usarla. 2. Después de reemplazar la unidad de motor (MU), vuelva a conectar la fuente de alimentación a la toma de corriente y encienda la fuente de alimentación. Deje que el limpiafondos funcione durante varios segundos. 3. Abra la aplicación MyDolphin™ Plus. Aparecerá un error de conexión. 4. Vaya a «Ajustes» en la barra superior → «Detalles del limpiafondos» → «Desconectar del limpiafondos» → «Continuar» → «Buscar limpiafondos cercanos». Encuentre y seleccione el «Nuevo s/n de MU Dolphin» → aparecerá el mensaje «¿Es este su limpiafondos?». Una vez comprobado el número de serie (s/n), pulse «Sí, este es mi limpiafondos». → La MU se conectará al limpiafondos y a la aplicación → Pantalla de inicio. <p>Si no identifica el número de serie, pulse para añadir manualmente el s/n del limpiafondos o para escanear el código QR.</p>

Si ninguna de estas soluciones resuelve el problema, póngase en contacto con el Servicio de Atención al Cliente de Maytronics:

América del Norte

1-888-365-7446 ext. 1002
customersupport@maytronicsus.com

Francia

+33 (0)4 42 98 14 90
support@maytronics.fr

Australia, Nueva Zelanda, Sudáfrica

1 300 693 657
infoau@maytronics.com

Resto del mundo/Oficinas centrales de Maytronics

00 800 69694141 (teléfono gratuito)
00 972 77 96 14 204 (llamada internacional)
wecare@maytronics.com

Para obtener toda la información y saber más acerca de la resolución de incidencias, visítenos en:
www.maytronics.com

Robot Pool Cleaner by Maytronics

8180090